

Betriebsanleitung
Operating Instructions
Instructions de service
Istruzioni d'uso
Handleiding
Instrucciones para el manejo
Manual de instruções
Naudojimosi instrukcija
Kasutusjuhend
Lietošanas instrukcija
Οδηγίες χρήσης
取扱説明書
사용설명서

Driftsinstruks
Driftsinstruktioner
Käyttöohje
Driftsvejledning
Instrukcja obsługi
Kezelési útmutató
Návod k obsluze
Navodilo za uporabo
Návod na obsluhu
Ei Kitabi
Инструкция по эксплуатации
使用说明书

U 4.100

2006/42/EG




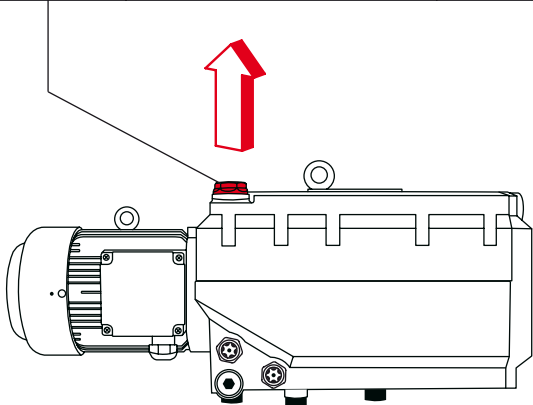


DIN EN ISO 14001:2005

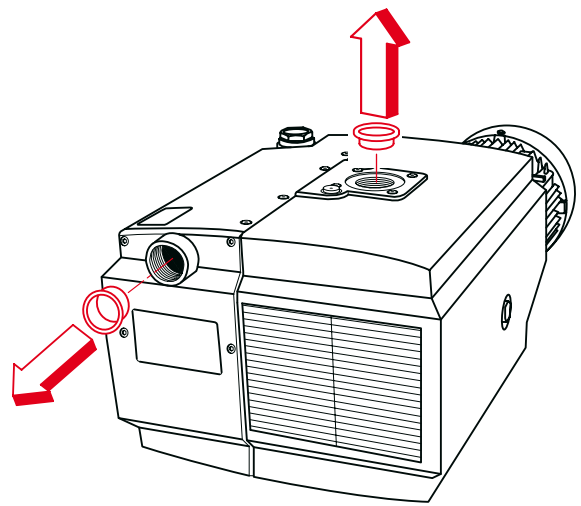
DIN EN ISO 9001
001929 QM

<p>Becker Lube M/S/SL 100 ▷ 2,0 Liter</p>		
<p>AIR</p>		<p>DIN EN ISO 3744</p> <p> $L_{pA} = 67,5 \text{ dB(A)} - 50\text{Hz}$ $L_{pA} = 69 \text{ dB(A)} - 60\text{Hz}$ $K_{pA} = 3 \text{ dB(A)}$ </p>




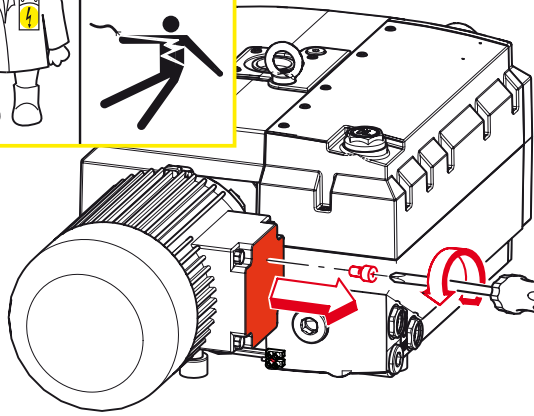
<p>67,5 kg 148,8 lbs</p>		<p>A > 100mm A > 4"</p>	<p>> 5°C/41°F < 40°C/104°F</p>	<p>max. 90%</p>	<p>max. 800m</p>
<p>1</p>		<p>2</p>			

  2,0 Liter	Becker Lube M 100 (Mineral oil) ▷ No.: 96000900000 Becker Lube S 100 (Synthetic oil) ▷ No.: 96001600100 Becker Lube SL 100 Food ▷ No.: 96002300100	MAX 
		


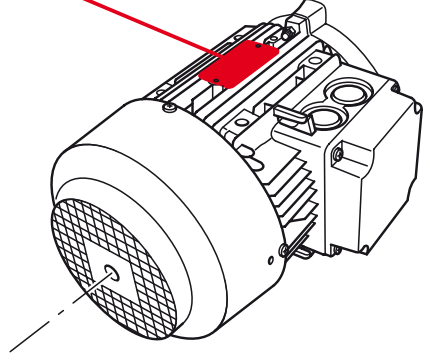
3



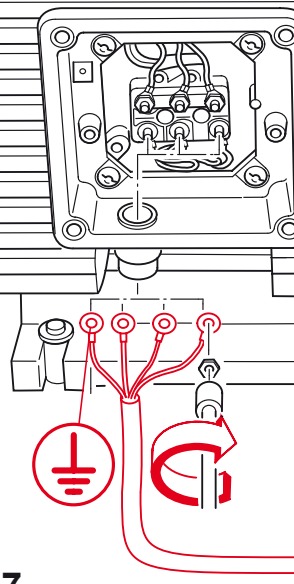



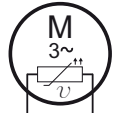
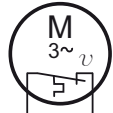
4



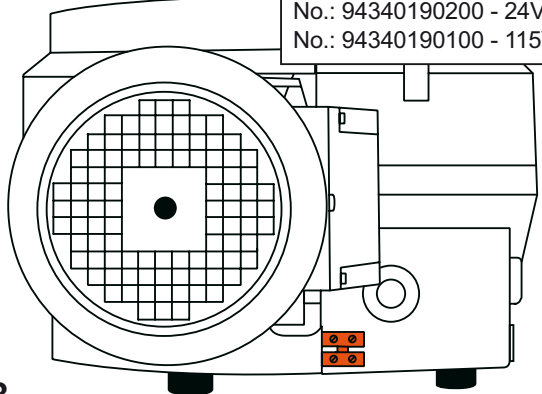
5

	BECKER Mat.Nr. XXXXXX ENXXXX CE 3~Mot. XXXXXXXX NoUp. XXXXXX xx	
	<table border="1"> <tr> <td> 50 Hz XXKW XXX-XXX / XXX-XXX V Δ / Y XX-XX / XX-XX A cos φ 0.XX-0.XX XXXX-XXXX /min </td> <td> 60 Hz XXKW XXX-XXX / XXX-XXX V Δ / Y XX-XX / XX-XX A cos φ 0.XX-0.XX XXXX-XXXX /min </td> </tr> </table>	50 Hz XXKW XXX-XXX / XXX-XXX V Δ / Y XX-XX / XX-XX A cos φ 0.XX-0.XX XXXX-XXXX /min
50 Hz XXKW XXX-XXX / XXX-XXX V Δ / Y XX-XX / XX-XX A cos φ 0.XX-0.XX XXXX-XXXX /min	60 Hz XXKW XXX-XXX / XXX-XXX V Δ / Y XX-XX / XX-XX A cos φ 0.XX-0.XX XXXX-XXXX /min	
		

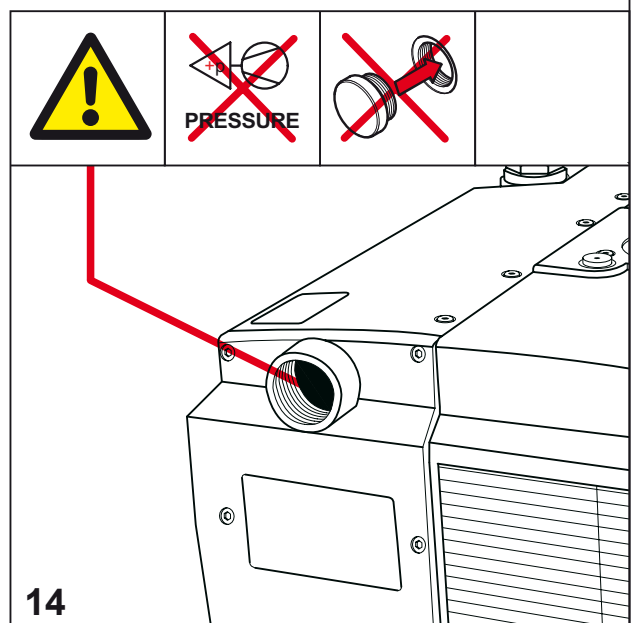
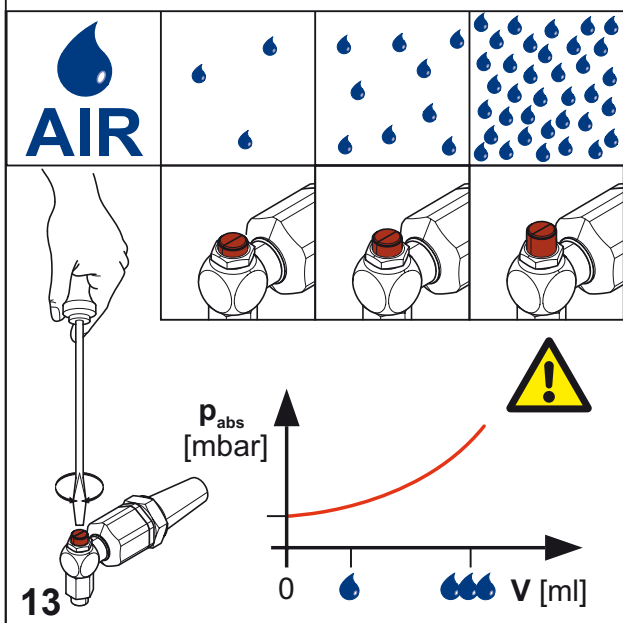
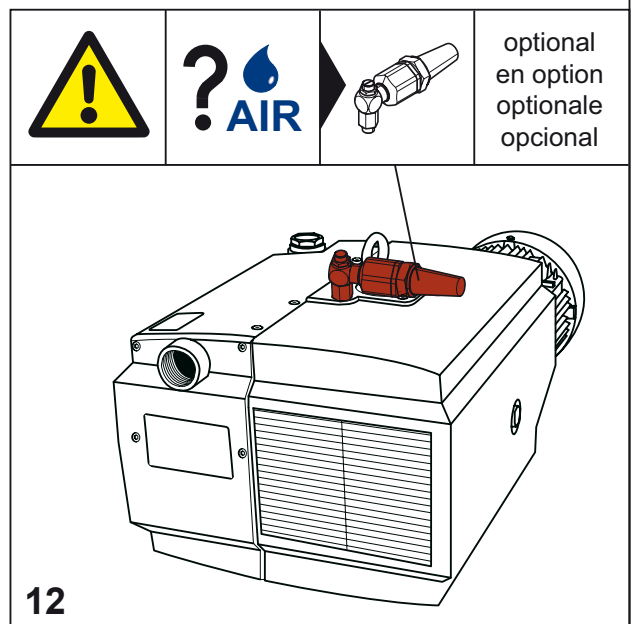
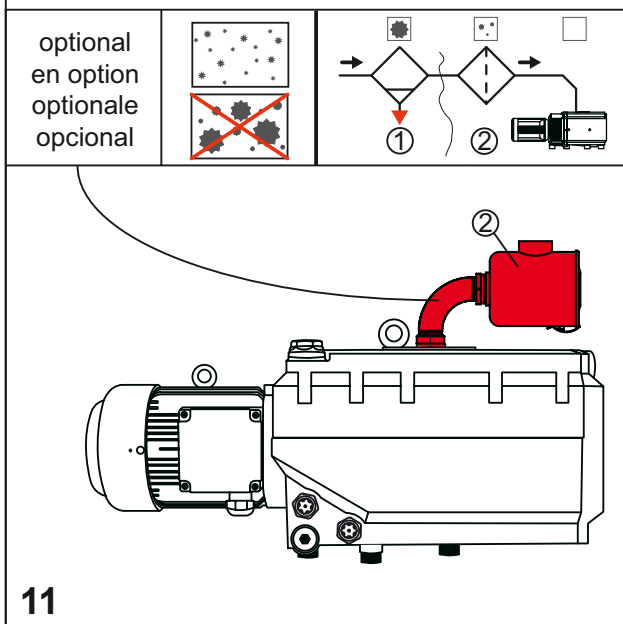
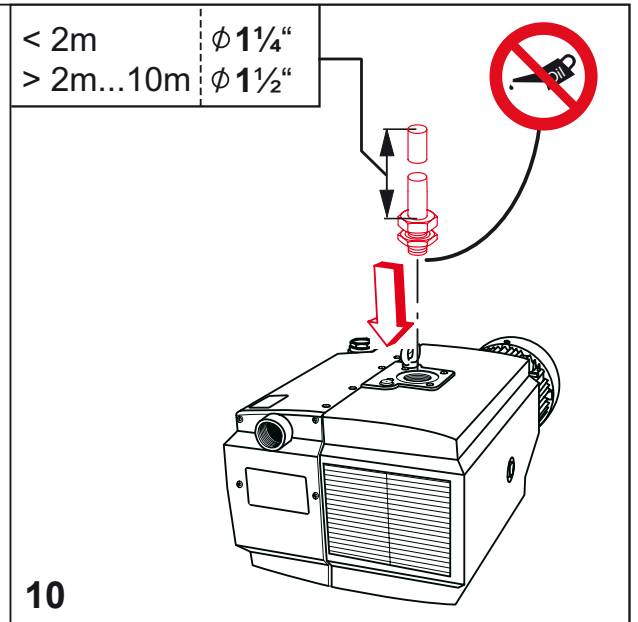
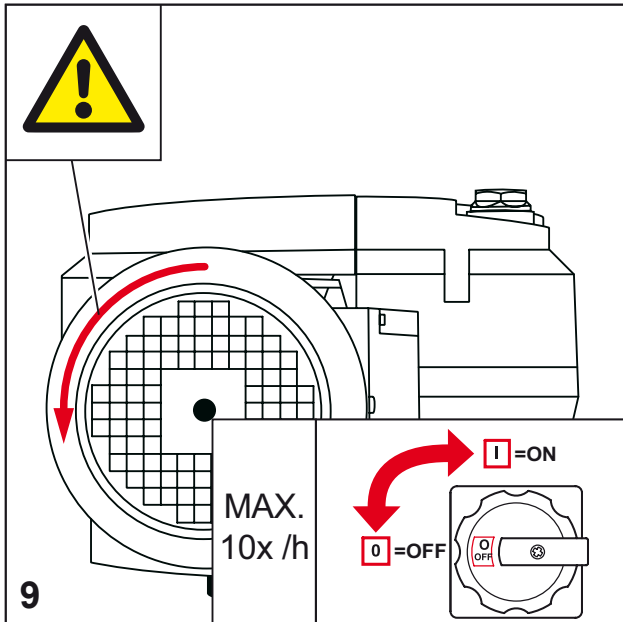
6

	
	<p>L2 L1 L3</p>  <p>U1 V1 W1</p> 
	<p>optional</p>  <p>PTC</p>  <p>Bi-metal</p>

7

Pt 100 	optional en option optionale opcional	
		No.: 94340190000 - 230V No.: 94340190200 - 24VDC No.: 94340190100 - 115V

8



A.

B.

C.

D.

C.

F.


Becker Lube **M 100** (Mineral oil)
 ▷ No.: 96000900000
 Becker Lube **S 100** (Synthetic oil)
 ▷ No.: 96001600100
 Becker Lube **SL 100** Food
 ▷ No.: 96002300100

E.

1. = 100 h
 2. = 1.000 h
 3. = 2.000 h
 ... (min. 2x/a)

F.


E.



40 - 200 h **AIR ?**

G.


Detailed description: This panel shows the initial maintenance step. At the top left, a red air filter is being cleaned with a high-pressure spray gun. To its right, three small square panels show the filter becoming progressively more clogged with dust particles. Below this, a large diagram shows a red air filter being inserted into a white cylindrical housing. A red arrow points from the filter towards the housing, indicating the direction of insertion.



1000 h

H.

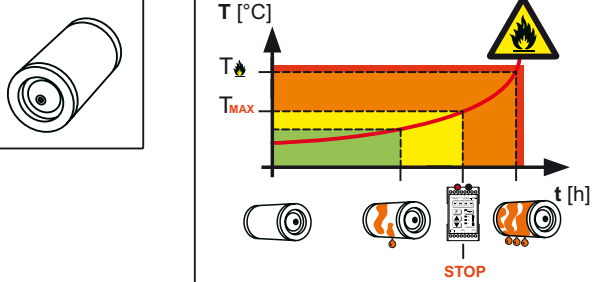
Detailed description: This panel illustrates the replacement of the air filter. At the top left, a red air filter is shown. To its right, two numbered steps are shown: '1.' shows a hand using a screwdriver to pry the filter out of its housing, and '2.' shows the filter being inserted into the housing. Below this, a diagram shows the red air filter being inserted into the white cylindrical housing of the engine compartment.



2000 h


I.

Detailed description: This panel shows the removal of the old air filter. At the top left, a red air filter is shown with a green arrow indicating it is being moved away from the housing. Below this, a diagram shows a red air filter being removed from the white cylindrical housing. A red arrow points from the filter towards the housing, and a circled number '5' is next to the filter, indicating the step number.



J.

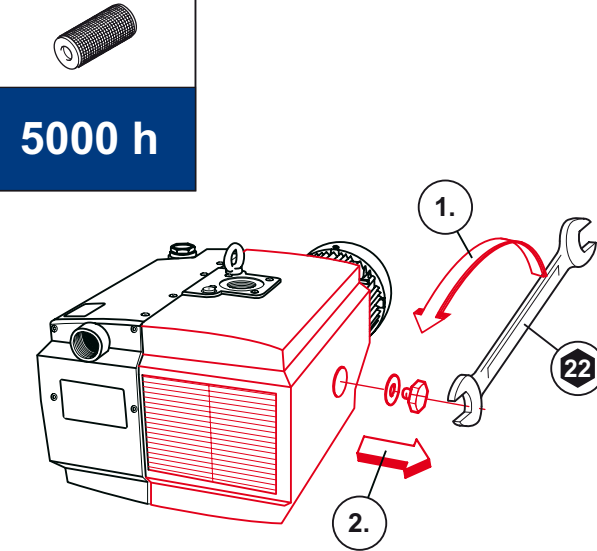
Detailed description: This panel shows the removal of the old air filter. At the top left, a red air filter is shown. To its right, a graph plots temperature T [°C] on the y-axis against time t [h] on the x-axis. The graph shows a red curve that starts at a low temperature, rises to a plateau labeled T_{MAX} , and then continues to rise. A yellow warning triangle with a flame is shown above the curve. Below the graph, a diagram shows a red air filter being removed from the white cylindrical housing. A red arrow points from the filter towards the housing, and a circled number '5' is next to the filter. The text 'Pos. 83' is written above the diagram. A 'STOP' sign is shown below the graph.



Pos. 83
No.: 96541600000

K.

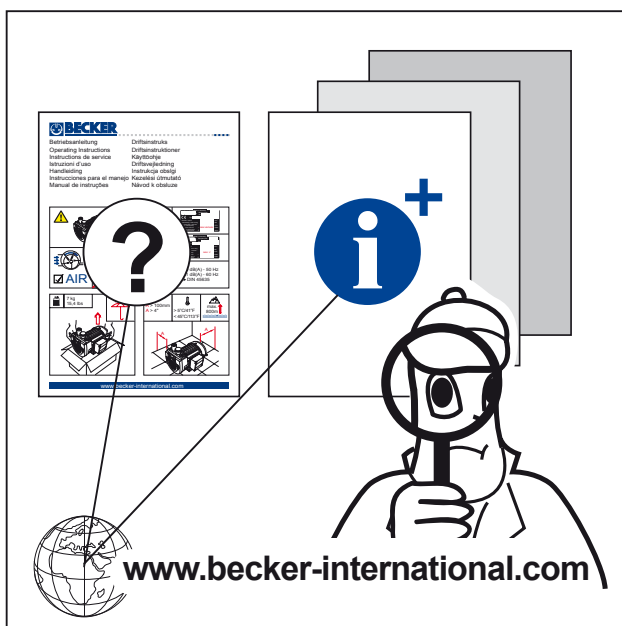
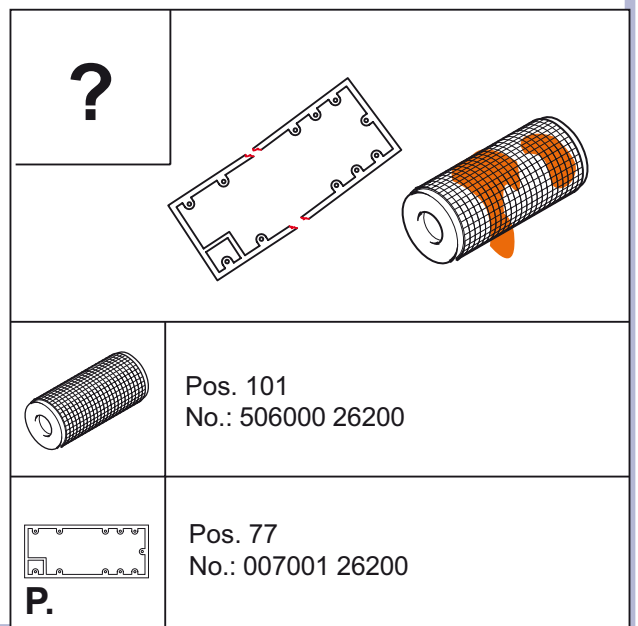
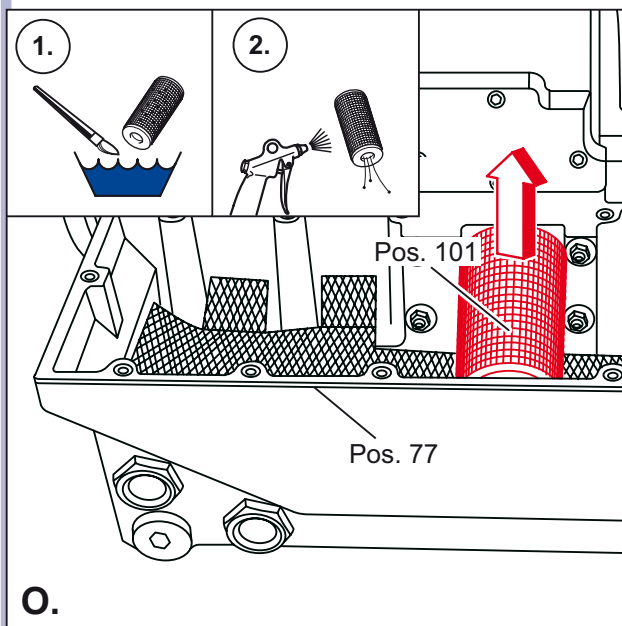
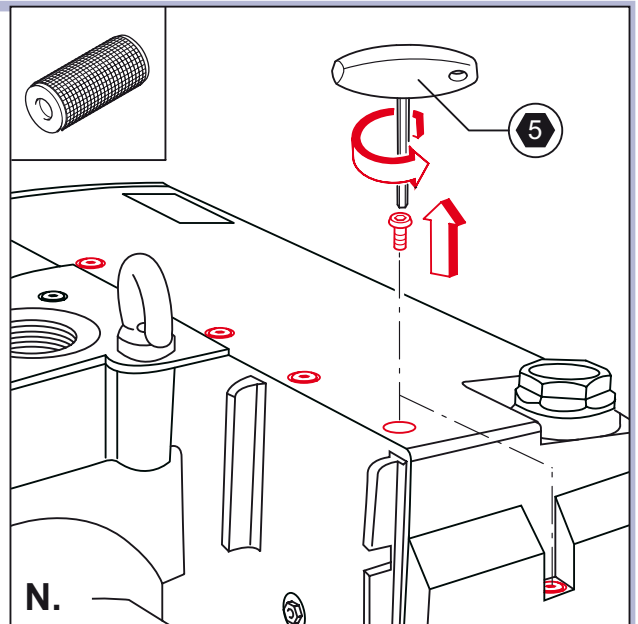
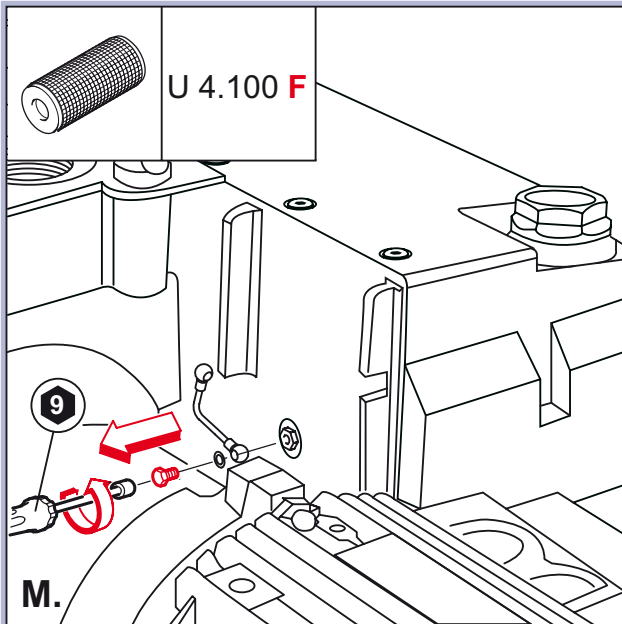
Detailed description: This panel shows the removal of the old air filter. At the top left, a red air filter is shown. To its right, a diagram shows a red air filter being removed from the white cylindrical housing. A red arrow points from the filter towards the housing. Below this, a diagram shows a red air filter being removed from the white cylindrical housing. A red arrow points from the filter towards the housing. A red 'X' is drawn over the filter, indicating it is to be discarded. To the right of the diagram is a recycling symbol.



5000 h

L.

Detailed description: This panel shows the removal of the old air filter. At the top left, a red air filter is shown. Below this, a diagram shows a red air filter being removed from the white cylindrical housing. A red arrow points from the filter towards the housing. A circled number '22' is next to the filter, indicating the step number. A wrench is shown next to the filter, indicating it should be used to remove it.



BECKER

Gebr. Becker GmbH
Hölker Feld 29-31
D-42279 Wuppertal

info@becker-international.com

(D) Service:
Tel: +49 (0)202 697-171
Fax: +49 (0)202 64 44 74